

Time control technique

Timer MK 7873, MK 7873N release delayed minitimer

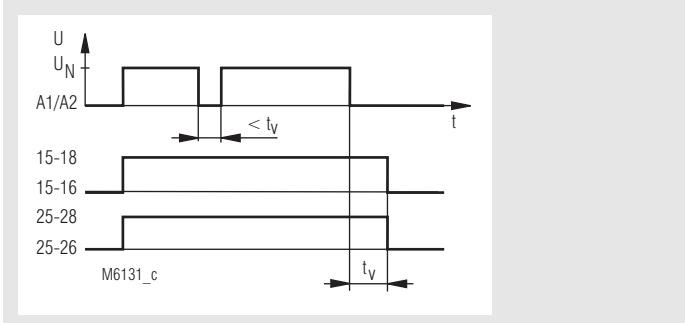


0221578

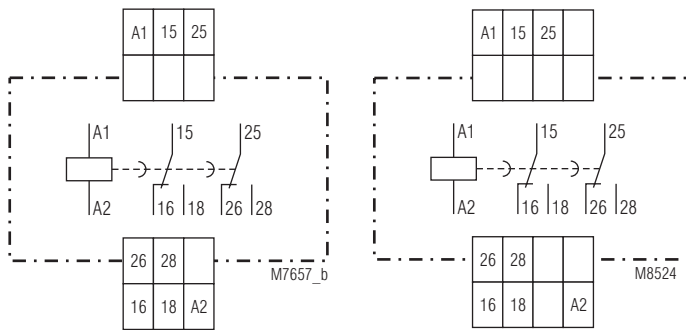


- According to IEC/EN 61 812-1
- Delay up to 300 s
- Repeat accuracy $\leq \pm 0,5 \%$
- Without auxiliary voltage
- No recovery time
- With large voltage range AC/DC 24 ... 240 V
- LED display for power supply
- 2 changeover contacts
- Width 22,5 mm

Function diagram



Circuit diagram



MK 7873.82

MK 7873N.82

Approvals and marking



Applications

Time-dependent controllers

Indicators

LED: on, when supply connected

Technical data

Time circuit

Time ranges:	0,05 ... 1 s	0,15 ... 3 s
	0,5 ... 10 s	1,5 ... 30 s
	5 ... 100 s	15 ... 300 s

Time setting: stepless

Minimum switch-on time of the control input

for DC 24 V: 150 ms
for UC 220 V: 25 ms

Recovery time

tw 50 / 100: 0

Repeat accuracy: $\leq \pm 0,5 \%$ of set value

Voltage influence: $\leq 0,5 \%$

Temperature influence: $< 0,2 \%$ / K

Input

Nominal voltage U_N : AC/DC 24 ... 240 V
Voltage range: AC 19,2 ... 264 V
DC 21,6 ... 300 V

Nominal consumption

Effective power: 0,8 W
Frequency range: 45 ... 400 Hz
Release voltage: 10 V

Output

Contacts

MK 7873.82, MK7873N.82: 2 delayed changeover contacts

Thermal current I_{th} : 5 A

Switching capacity

to AC 15

NO contact: 3 A / AC 230 V IEC/EN 60 947-5-1

NC contact: 1 A / AC 230 V IEC/EN 60 947-5-1

IEC/EN 60 947-5-1

Electrical life

to AC 15 at 3 A, AC 230 V: 8×10^5 switching cycles

Permissible operating frequency:

for time ranges ≤ 10 s: 1 400 switching cycles / h

for time ranges ≥ 30 s: 700 switching cycles / h

Technical data

Short circuit strength

max. fuse rating: 6 A gL IEC/EN 60 947-5-1
Mechanical life: 30 x 10⁶ switching cycles

General data

Operating mode: Continuous operation
Temperature range: - 20 ... + 60°C
Clearance and creepage distances
overvoltage category /
contamination level: 4 kV / 3 IEC 60 664-1
EMC
Electrostatic discharge: 4 kV (air) IEC/EN 61 000-4-2
Fast transients 2 kV IEC/EN 61 000-4-4
Surge voltages
between
wires for power supply: 1 kV IEC/EN 61 000-4-5
between wire and ground: 2 kV IEC/EN 61 000-4-5
Interference suppression: Limit value class B EN 55 011
Degree of protection: Housing: IP 40 IEC/EN 60 529
Terminals: IP 20 IEC/EN 60 529
Housing: Thermoplastic with V0 behaviour
according to UL subject 94
Vibration resistance: Amplitude 0,35 mm,
frequency 10 ... 55 Hz, IEC/EN 60 068-2-6
Climate resistance: 20 / 060 / 04 IEC/EN 60 068-1
Terminal designation: EN 50 005
Wire connection: 2 x 1,5 mm² solid or
2 x 1,0 mm² stranded wire with sleeve
DIN 46 228-1/-2/-3/-4
Wire fixing:
MK 7873: Flat terminals with self-lifting
clamping piece IEC/EN 60 999-1
MK 7873N: Box terminals with wire protection
Mounting: DIN rail IEC/EN 60 715
Weight: 132 g

Dimensions

Width x height x depth:

MK 7873: 22,5 x 82 x 99 mm
MK 7873N: 22,5 x 90 x 97 mm

Standard type

MK 7873.82 AC/DC 24 ... 240 V 1,5 ... 30 s

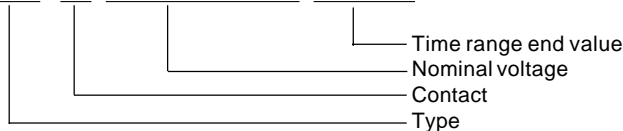
Article number: 0036305
• Output: 2 changeover contacts
• Nominal voltage U_N: AC/DC 24 ... 240 V
• Time range: 1,5 ... 30 s
• Width: 22,5 mm

MK 7873N.82 AC/DC 24 ... 240V 1,5 ... 30 s

Article number: 0054462
• Output: 2 changeover contacts
• Nominal voltage U_N: AC/DC 24 ... 240 V
• Time range: 1,5 ... 30 s
• Width: 22,5 mm

Ordering example

MK 7873 .82 AC/DC 24 ... 240 V 5 ... 100 s



Accessories

ET 4752-143: Marking plate