



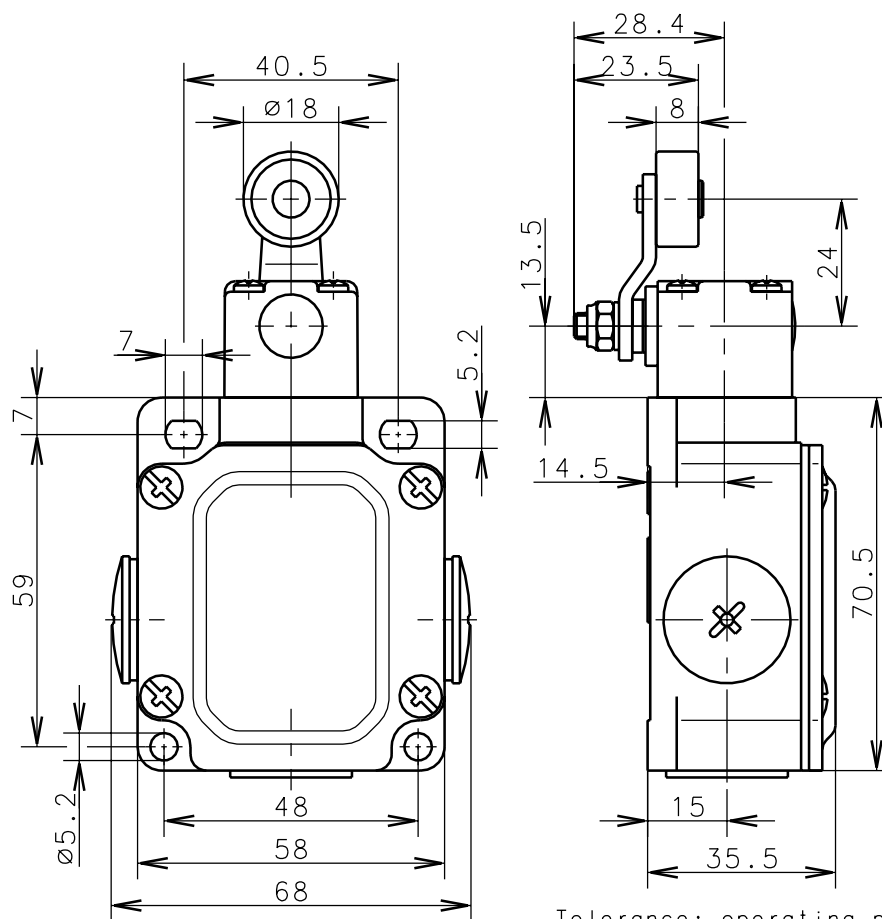
Bernstein

Bernstein AG
Postfach 1164
D-32437 Porta Westfalica

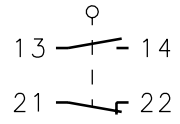
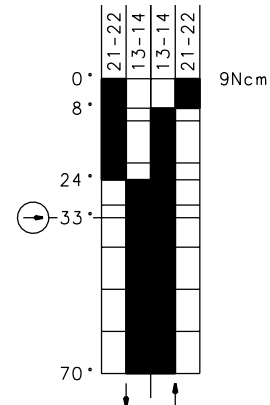
Technical data sheet

SN2-SU1Z AH 180°

613.3385.005



Positive opening operation according to DIN EN 60947-5-1 IEC 60947-5-1



Switching diagram

Switching symbol

Tolerance: operating point :±3.5°; operating torque :±10%

Schutzvermerk nach DIN 34 beachten
Copyright reserved

Mechanical features

Enclosure:	Al-die cast
Cover:	Al-plate
Actuator:	Turret head (Zn-die cast), Roller (Thermoplast)

Ambient air temperature:	-30°C up to +80°C
Contact type:	1 NC-contact - 1 NO-contact (direct operating action)

Mechanical life:	10x10 ⁶ switch operating
Switch frequency:	max. 100/min
Mounting:	4 x M5
Connection type:	4 screw connections (M3.5)
Cable entry size:	3 x M20x1.5
Weight:	approx. 0,25kg

Electrical features

Max. voltage:	400 V AC
Max. enduring current:	1 th 10A
Max. inrush current:	according to IEC 947-5-1; AC 15; DC 13
Standards:	according to EN 60204; EN 60947-1; EN 60947-5-1
Protection class (IP-Code):	IP65 according to EN 60529; DIN VDE 0470 T1
CSA:	10A 300V AC, A300 (same polarity)
Short-circuit protection:	Fuse 2A gL/gG, IEC/EN 60947-5-1

Approach possibilities

By loosening the 4 screws the Actuation Assembly can be rotated in 90 degree increments such that 4 Actuation directions are possible. The Actuation Assembly is to be again fastened to the housing using the 4 screws.

Remarks

The moving parts should be oiled periodically.
The planned protection class (IP-Code) is valid only at closed cover and when using an at least equivalent cable gland.

20.09.01