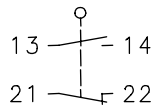


Series ENM2

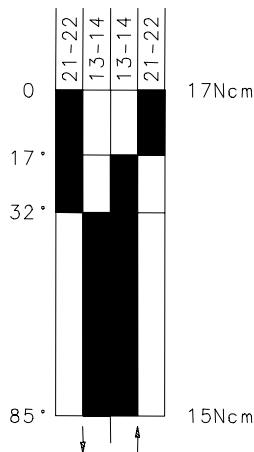
Description **ENM2-SU1 AV**

Article number **6087386017**

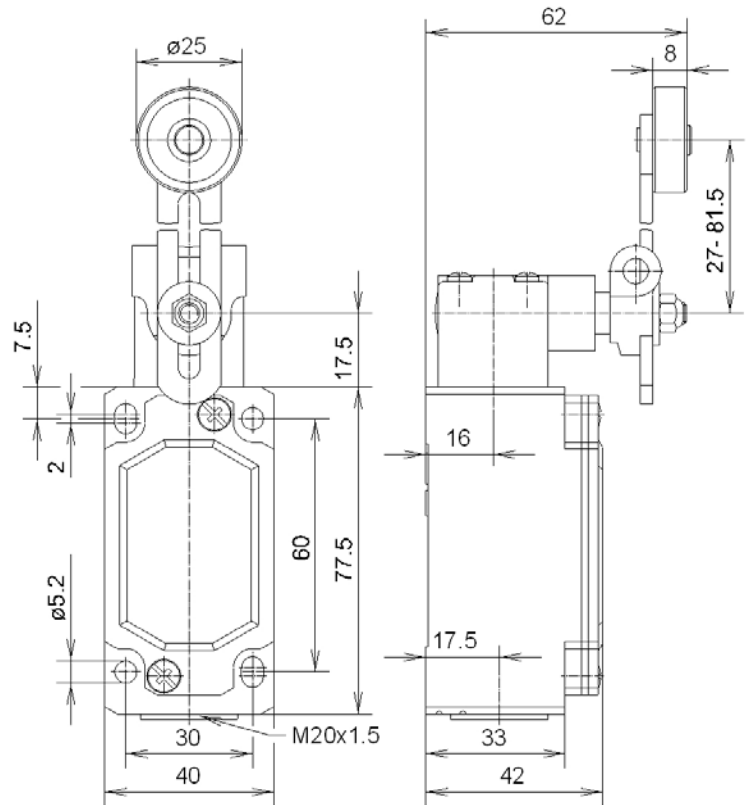
Operating symbol



Operating diagram



Tolerances:
 Operating point $\pm 3,5^\circ$;
 Operating torque $\pm 10\%$



Electrical data

| | | |
|---------------------------------|-----------|---|
| Rated insulation voltage | U_i | 400 V AC |
| Conv. thermal current | I_{the} | 10 A |
| Rated operational voltage | U_e | 240 V |
| Utilization category | | AC-15, U_e/I_e 240 V / 3 A |
| Short-circuit protective device | | Fuse 2 A gL/gG acc. to IEC/EN 60947-5-1, Annex K |
| Protection class | | I |

This document will not become the contractual basis; the details included herein do not constitute any descriptions of expected conditions, so that warranties/claims for defects on account of possible variations of the actual qualities from the qualities described herein are explicitly excluded. All rights reserved. Specifications subject to change without notice!

Date of issue: 21.05.2010 / Page 1 of 2
 Document: 6087386017_en.doc / Last update: 1 / 2325-10

Mechanical data

| | |
|--------------------------|--|
| Enclosure | Die-cast aluminium |
| Cover | Sheet aluminium |
| Actuator | Lever arm housing (Zn-die cast); Lever (st); roller (thermoplastic) |
| Ambient air temperature | -30 °C ... +80 °C |
| Contact type | 1 NC, 1 NO (Zb) |
| Mechanical life | 10 x 10 ⁶ switching cycles |
| Switching frequency | ≤ 100 / min. |
| Assembly | 4 x M5 |
| Connection | 4 screw terminals (M3,5) |
| Conductor cross-sections | Solid: 0,5 ... 1,5 mm ² |
| Conductor cross-sections | Litz wire with ferrules: 0,5 ... 1,5 mm ² |
| Cable entrance | 1 x M20x1,5 |
| Weight | ≈ 0,3 kg |
| Installation position | Operator definable |
| Protection type | IP65 acc. to IEC/EN 60529 |

Actuation

The actuating device is preferably started from 2 sides.

By loosening the 4 screws the actuation assembly can be rotated in 90 degree increments such that 8 actuation directions are possible.

The actuation assembly is to be again fastened to the housing using the 4 screws.

Standards

VDE 0660 T100, DIN EN 60947-1, IEC 60947-1
VDE 0660 T200, DIN EN 60947-5-1, IEC 60947-5-1

EU Conformity



Approvals

cCSA_{US} A300 (same polarity)

Notes

The specified protection classification (IP code) applies only when the cover is closed and the appropriate cable is used, in accordance with the clamping range of the above mentioned cable gland.