



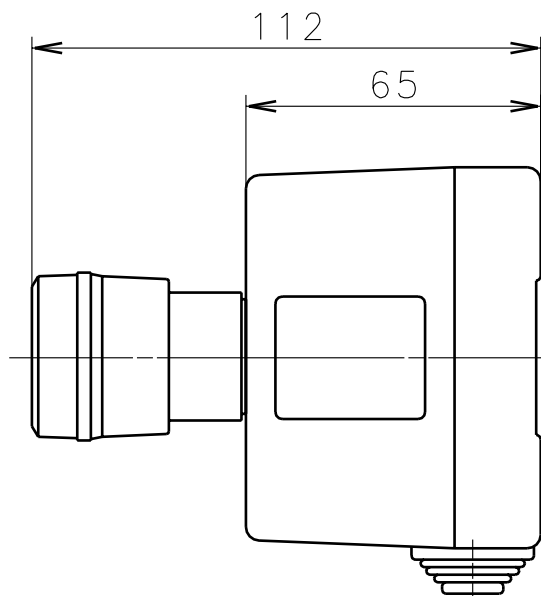
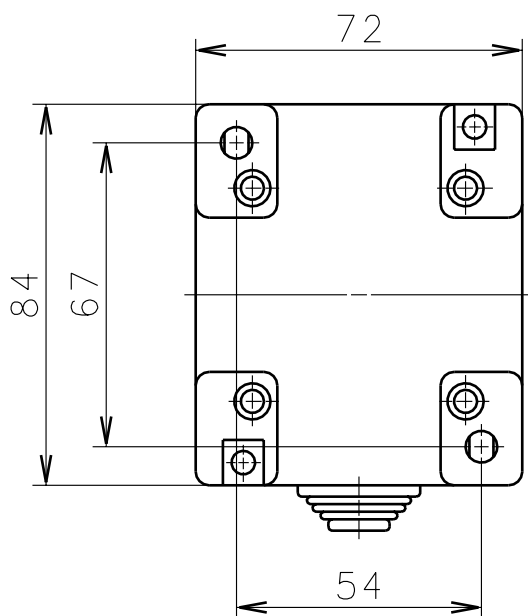
Bernstein

Bernstein AG
Postfach 1164
D-32437 Porta Westfalica

Technical data sheet

SNA-A1Z/E1 AP

601.9169.003



Contact travel: 6mm

Schutzvermerk nach DIN 34 beachten
Copyright reserved

Mechanical features	Electrical features
<p>Enclosure: Plastic Cover: Plastic Actuator: Plastic Ambient air temperature: -25°C up to +60°C Contact type: 1 NC-contact Mechanical life: 0.5×10^5 switch operations Mounting: enclosure 2xM5 Cable entry size: 1 x self-sealing grommet Weight: approx. 0,23 kg Protection class (IP-Code): IP65 according to EN 60529, DIN VDE 0470 T1</p> <p>The planned protection class (IP-Code) is valid only at closed cover and when using an at least equivalent cable gland.</p>	<p>Rated insulation voltage: $U_i = 660V$ Conventional thermal current: $I_{th} = 10A$</p>
	Approvals
	Standards
	<p>EN 418 VDE 0660 T200, EN 60947-5-1 \rightarrow</p>
Approach possibilities	Specials / Remarks
<p>Actuate emergency stop button with the hand.</p>	<p>Turn the emergency stop button to reset the switching.</p>