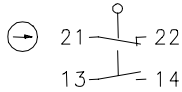


### Series SLK – with separate actuator

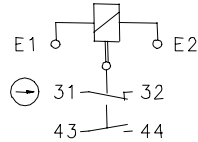
Description **SLK-F-UC-55-R1-A0-L0-0**

Article number **6018119045**

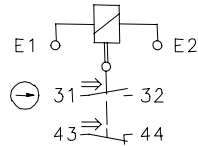
Position monitoring  
of guard locking



Termination electromagnet  
with contact position  
E1, E2 without current

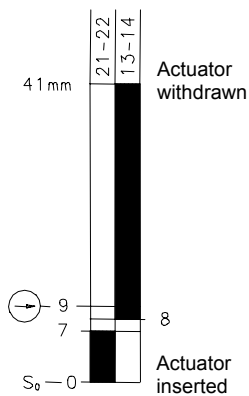


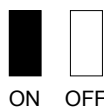
E1, E2 with current

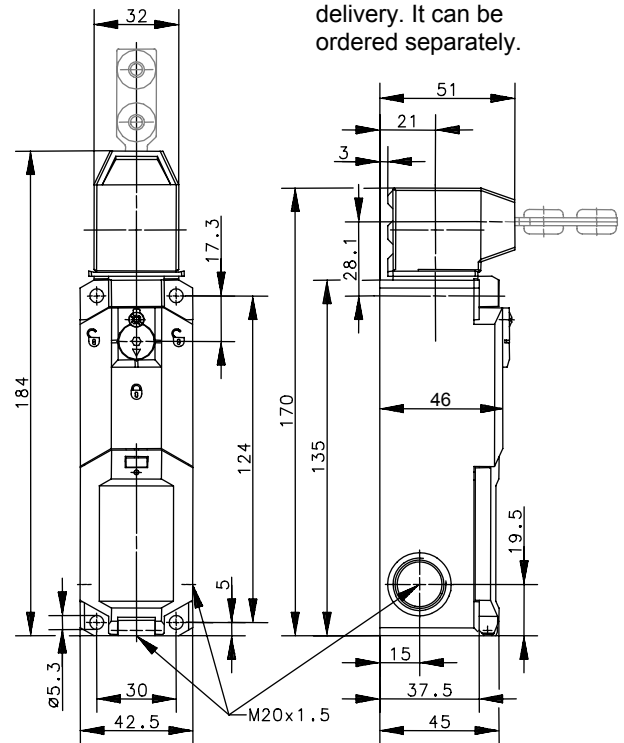


The actuator is not  
included in the scope of  
delivery. It can be  
ordered separately.

Operating diagram



 Tolerances  
Actuating force:  $\pm 15\%$



#### Electrical data

Protection class II, totally insulated

#### Contact elements

Rated insulation voltage	$U_i$	250 V
Rated impulse withstand voltage	$U_{imp}$	2,5 kV
Conv. thermal current	$I_{the}$	5 A
Utilization category		AC-15, $U_e/I_e$ 230 V / 2,5 A
Direct opening action	$\ominus$	according to IEC/EN 60947-5-1, Annex K
Short-circuit protective device		4 A gL

#### Electro magnets

Duty cycle	100 % ED (at E1; E2)
Temperature class	F (155 °C)
Inrush power consumption	12 VA (0,2 s)
Permanent power consumption	4,4 VA
Switch operations permanent	600/h
Operating voltage	24 V AC/DC

This document will not become the contractual basis; the details included herein do not constitute any descriptions of expected conditions, so that warranties/claims for defects on account of possible variations of the actual qualities from the qualities described herein are explicitly excluded. All rights reserved. Specifications subject to change without notice!

Date of issue: 12.12.2008 / Page 1 of 2  
Document : 6018119045\_en / Last update: 1 / 2751-08

Mechanical data			
Enclosure			Thermoplastic GV (UL94-V0)
Cover			Thermoplastic GV (UL94-V0)
Actuating head			Thermoplastic GV / Zn-GD
Actuator			Separate actuator (St / PA)
	Minimum actuating radius	$R_{min}$	see separate actuators data sheet
	Velocity for actuating	$V_{max}$	$0,5 \frac{m}{s}$
	Extraction force		$\geq 27 \text{ N}$
Interlocking principle			Spring force
Unlocking			a) magnetic force b) auxiliary release from the front
Hold on force		$F_{Zh}$	$\leq 1500 \text{ N}$ acc. to GS-ET-19
Ambient air temperature			$-25 \text{ }^\circ\text{C} \dots +70 \text{ }^\circ\text{C}$
Contact type			2 NC, 2 NO
Switching principle			4 slow make and break contact elements
Mechanical life			$1 \times 10^6$ switching cycles (at max. 600 switch operations / h)
Assembly			4 x M5
Connection			Spring-clamp connection
Conductor cross-sections			0,5 – 1,5 mm <sup>2</sup> flexible
Cable entrance			3 x M20x1,5
Weight			$\approx 0,34 \text{ kg}$
Installation position			operator definable
Protection type			IP67 acc. to IEC/EN 60529

### Actuation

4 different actuating directions achievable by rotating the actuating head.  
Changing between horizontal and vertical actuating direction by setting the actuating head in the requested direction.

### Standards

VDE 0660 T100, DIN EN 60947-1, IEC 60947-1  
VDE 0660 T200, DIN EN 60947-5-1, IEC 60947-5-1  
GS-ET-19

### EU Conformity

CE

### Approvals

BG  
cCSA<sub>US</sub> B300 (same polarity)  
CCC (pending)

### Notes

The degree of protection (IP code) specified applies solely to a property closed cover and the use of an equivalent cable gland with adequate cable.

The switch may not be used as a mechanical stop.

When power is removed from the electromagnet (solenoid) the safety guard will be in locked position.

To operate the manual release loosen the screw and turn the hexagonal nut 90°.

This document will not become the contractual basis; the details included herein do not constitute any descriptions of expected conditions, so that warranties/claims for defects on account of possible variations of the actual qualities from the qualities described herein are explicitly excluded. All rights reserved. Specifications subject to change without notice!

Date of issue: 12.12.2008 / Page 2 of 2  
Document : 6018119045\_en / Last update: 1 / 2751-08