

Safety Rope Pull switches

SR

Plastic housing
Protection class IP 67

EMERGENCY STOP switch gear
acc. IEC 947-5-5

Integrated EMERGENCY STOP
push button

Quick mounting device for
rope installation



Safe:

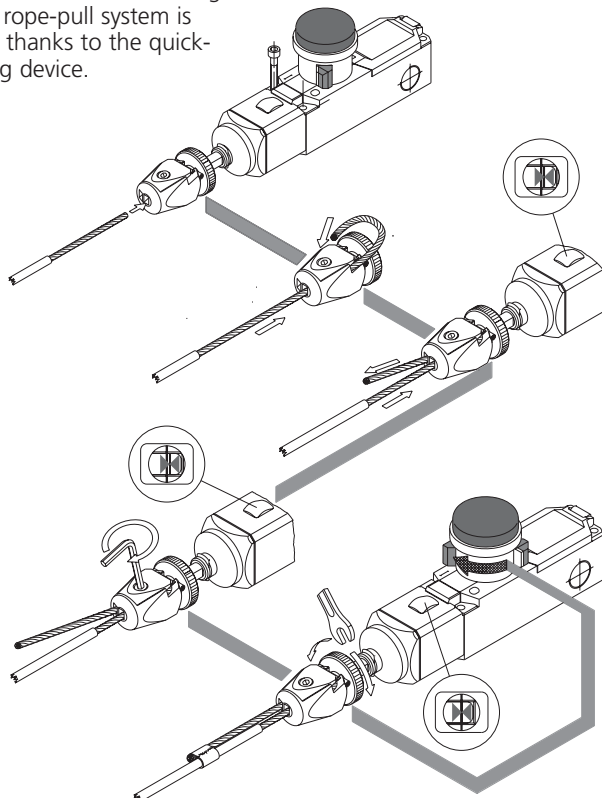
- The EMERGENCY STOP function is enabled by positive-break safety contacts following actuation or failure of the rope-pull system.
- The SR ... NA QF has an integrated EMERGENCY STOP push button, which, due to its design, is particularly well protected against external mechanical influences and blocking.

Flexible:

- 2 NC and 2 NO contacts is the standard contact configuration. According to customer preference, separate specification of the 4 switching elements is possible; thus allowing system integration close to the application.

Fast:

- The fast rope attachment of the SR ... NA QF is shown in the drawing on the left. The rope-pull system is quickly installed thanks to the quick-change clamping device.



- The correct rope tension is clearly and visibly indicated.
- Also clearly recognisable reset function, of the E-STOP device.
- The electrical connection is made via "cage clamp"-connection terminals.

Reliable:

- The glass-fibre reinforced polyamide housing can cope with the roughest operating conditions. The SR is mounted using a mounting plate made of metal.
- Protection class IP 67.

In the future:

- Two integrated diffuse reflective sensors are to be offered, which will signal if the rope tension is exceeded. This facilitates "preventative maintenance".

Designation

Part number

Switching diagram

⊕ Forced disconnect

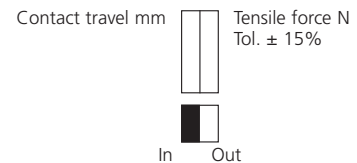
IEC 947-5-1 Chap. 3

Za: changeover contact is not galvanically isolated

Zb: changeover contact is galvanically isolated

Slow-action contact/snap-action contact

Latching mechanism



Voltage max.

Continuous terminal current max.

Utilization category acc. to IEC 947-5-1 AC 15 /DC 13

Switching frequency max.

Mech. operational life acc. to IEC 947-5-5

Ambient temperature min./max.

Approvals

cable conduit

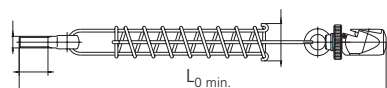
Weight

Delivery: ex stock/built to order

All dimensions in mm

Rope-Pull Return-Spring

with protection against overload



Application:

Spring SR-Type 100/175 SR-Type 300

Part number 391.1042.153 391.1042.154

L₀ min. 383 483

L_{max.} 487 653

